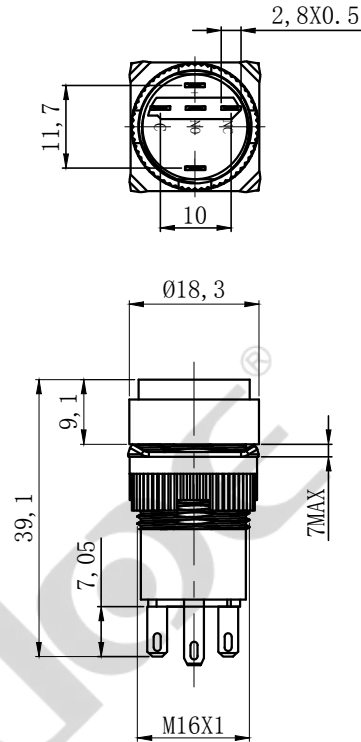
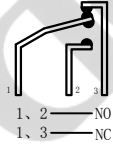


UNIT: mm (毫米)

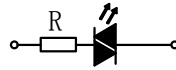
cdoe



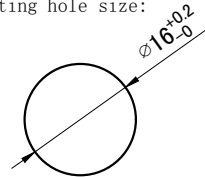
开关结构说明:
Switch structure description:



灯珠等效电路:
Lamp bead equivalent circuit:



安装孔尺寸:
Mounting hole size:



性能要求:

Performance requirements:

- 防护等级: IP40;
Protection grade: IP40.
- 接触电阻: $\leq 50m\Omega$;
Contact resistance: $\leq 50m\Omega$.
- 绝缘电阻: $\geq 100M\Omega$;
The insulation resistance: $\geq 100M\Omega$.
- 抗电强度: AC2500V, 1min, 无闪烁、击穿;
Electrical resistance: AC2500V, 1min, no flicker and breakdown;
- 寿命: 电气部分在额定负载下动作5万次无异常。
Life: Electrical part: operate 50,000 times under rated load without any abnormality.
机械部分: 动作100万次无异常;
Mechanical part: no abnormal movement for 1000,000 times

技术要求:

Technical requirements:

- 表面光洁, 平整无毛刺;
The surface is smooth without burr;
- 参数/批次字迹清晰, 无错位;
Clear handwriting of parameters/batches without any dislocation;
- 额定电压: Ith: 5A Ui: 250V;
Rated voltage: 5A Ui: 250V;
- 工作环境温度: $-25^{\circ}C \sim +65^{\circ}C$;
Working environment temperature: $-25^{\circ}C \sim +65^{\circ}C$;
- 动作形式: 自复式; 自锁式;
Operation type: Momentary; Latching ;
- 动作行程: 约3.2mm;
Movement stroke: about 3.2mm
- 连接形式: 配套接插件/焊接导线;
Connection form: Matching connectors/Welding wire;
- 拧紧力矩: 约0.4Nm;
Tightening torque: about 0.4Nm;
- 开关组合: 1NO1NC;
Contact configuration: 1NO1NC;
- 外观材料: 按键: PC;
外壳: ABS;
螺母: PC
触点: 银合金;
Appearance material: Housing: PC;
Button surface: ABS;
Nut: PC
Contact: silver alloy
- 未标注公差按照GB/T 1804-m级。
Unmarked tolerance shall be in accordance with GB/T 1804-f class.
- 灯珠参数: 额定电压: 6V/12V/24V/36V; 110V/220V
额定电流: $\leq 20mA$;
Lamp bead parameters: rated voltage :6V/12V/24V/36V; 110V/220V
Rated current: $\leq 20mA$
- 灯珠颜色: 红/绿/黄/橙/蓝/白;
LED color: Red/Green/Yellow/Orange/Blue/White
- 灯珠寿命: 50000小时。
Led life: 50000 hours.

描 图

描 校

底 图 号

装 订 号

					YUEQING DAHE ELECTRIC CO., LTD.	
					乐清市大和电气有限公司	
标 记	处 数	更改文件号	签 字	日 期	名称(TITLE): M16 Plastic push button switch	
DR. 制 图	APPD. 审 核	SCALE. 比 例	countersign. 会 签	Date. 日 期	M16塑料按钮开关	
黄	陈秋霞	1:1		2022.8.15	图号(DWG NO): HBDS1-AY-11D	
PW. 单 重		P. 页 码	第1页 共1页 (1/1)			