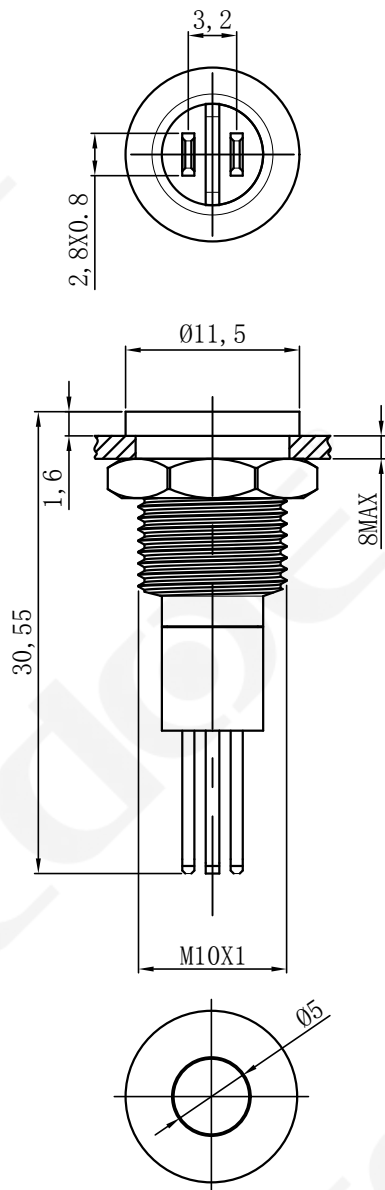


UNIT: mm (毫米)

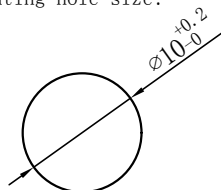
cdoe



灯珠等效电路:
Lamp bead equivalent circuit:



安装孔尺寸:
Mounting hole size:



技术要求:

Technical requirements:

1. 表面光洁, 平整无毛刺;
Smooth surface, smooth and without burr;
2. 参数/批次字迹清晰, 无错位;
The handwriting of the parameters/batch is clear and there is no dislocation;
3. 连接形式: 接插件/导线;
Connection form: connectors/wires;
4. 外观材料: 外壳: 黄铜/不锈钢
底座: PA6
Appearance materials:
Housing: Nickel-Plated Brass/stainless steel
Base: PA6,
5. 未标注公差按照GB/T 1804-m;
The unmarked tolerance is in accordance with GB/T 1804-m;
6. 灯参数: 额定电压: 3V/6V/12V/24V/36V;110V/220V;
额定电流: $\leq 20\text{mA}$;
Lamp parameters: rated voltage :3V/6V/12V/24V/36V;110V/220V;
Rated current: $\leq 20\text{mA}$;
7. 灯珠颜色: 红/绿/黄/橙/蓝/白;
LED color: Red/Green/Yellow/Orange/Blue/White;
8. 灯珠寿命: 50000小时;
Lamp bead life: 50000 hours;
9. 防护等级: IP67; IK09。
Protection grade: IP67;IK09.
10. 抗电强度: AC1000V, 1min, 无闪烁、击穿;
Electrical resistance: AC1000V, 1min, no flicker and breakdown;
11. 工作环境温度: $-25^{\circ}\text{C} \sim +65^{\circ}\text{C}$;
Working environment temperature: $-25^{\circ}\text{C} \sim +65^{\circ}\text{C}$

描 图

描 校

底 图 号

装 订 号

| | | | | | | |
|-----|-------|--------|--------------|-----------|--------------------------------------|--|
| | | | | | YUEQING DAHE ELECTRIC CO., LTD. | |
| | | | | | 乐清市大和电气有限公司 | |
| 标 记 | 处 数 | 更改文件号 | 签 字 | 日 期 | 名称(TITLE): | |
| DR. | APPD. | SCALE. | countersign. | Date. | M10 Metal waterproof indicator light | |
| 制 图 | 审 核 | 比 例 | 会 签 | 日 期 | M10金属防水指示灯 | |
| 黄 | 陈秋霞 | 2:1 | | 2022.8.15 | 图号(DWG NO): | |
| PW. | | P. | | | HBDGQ10T-D/J/S(N) | |
| 单 重 | | 页 码 | 第1页 共1页(1/1) | | | |