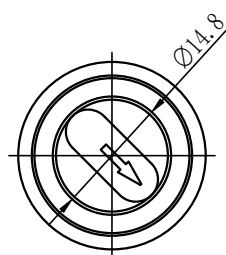
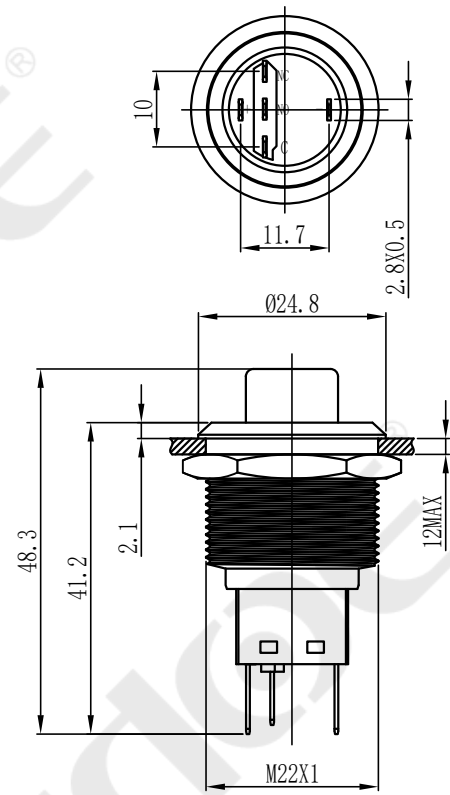
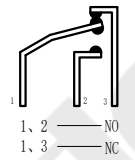


UNIT: mm (毫米)



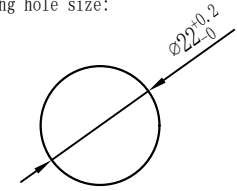
开关结构说明:
Switch structure description:



灯珠等效电路:
Lamp bead equivalent circuit:



安装孔尺寸:
Mounting hole size:



性能要求:
Performance requirements:

- 防护等级: IP40;
Protection grade: IP40;
- 接触电阻: $\leq 50m\Omega$;
Contact resistance: $\leq 50m\Omega$;
- 绝缘电阻: $\geq 100M\Omega$;
The insulation resistance: $\geq 100M\Omega$;
- 抗电强度: AC2500V, 1min, 无闪烁、击穿;
Electrical resistance: AC2500V, 1min, no flicker and breakdown;
- 寿命: 电气部分在额定负载下动作5万次无异常。
Life: Electrical part: operate 50,000 times under rated load without any abnormality.
机械部分: 动作50万次无异常;
Mechanical part: no abnormal movement for 500,000times.

技术要求:

- Technical requirements:
- 表面光洁, 平整无毛刺;
The surface is smooth without burr;
 - 参数/批次字迹清晰, 无错位;
Clear handwriting of parameters/batches without any dislocation;
 - 电气参数: $I_{th}: 5A$ $U_i: 250V$;
Electric parameter: $5A$ $U_i: 250V$;
 - 工作环境温度: $-25^\circ C \sim +65^\circ C$;
Working environment temperature: $-25^\circ C \sim +65^\circ C$;
 - 动作形式: 自锁式;
Operation type: Latching ;
 - 动作行程: 约 90° ;
Action stroke: about 90° ;
 - 连接形式: 配套接插件/焊接导线;
Connection form: Matching connectors/Welding wire;
 - 拧紧力矩: 约 $0.6Nm$;
Tightening torque: about $0.6Nm$;
 - 开关组合: 1NO1NC;
Contact configuration: 1NO1NC;
 - 外观材料: 按键: PC/不锈钢; PC/黄铜;
外壳: 不锈钢; 黄铜;
底座: PBT;
触点: 银合金;
Appearance material: Button surface: PC/Stainless steel; PC/Nickel-Plated Brass;
Housing: Stainless steel; Nickel-Plated Brass
Pedestal: PBT;
Contact silver alloy
 - 未标注公差按照GB/T 1804-m级。
Unmarked tolerance shall be in accordance with GB/T 1804-m class.
 - 灯珠参数: 额定电压: 6V/12V/24V/36V; 110V/220V;
额定电流: $\leq 20mA$;
Lamp bead parameters: Electric parameter :6V/12V/24V/36V;110V/220V;
Rated current: $\leq 20mA$
 - 灯珠颜色: 红/绿/黄/橙/蓝/白;
LED color: Red/Green/Yellow/Orange/Blue/White
 - 灯珠寿命: 50000小时。

描 图
描 校
底 图 号
装 订 号

					YUEQING DAIWEI ELECTRIC CO., LTD.	
					乐清市大和电气有限公司	
标记	处数	更改文件号	签字	日期	名称(TITLE): M22 metal knob switch	
DR. 制图	APPD. 审核	SCALE. 比例	COUNTERSIGN. 会签	DATE. 日期	M22金属旋钮开关	
黄	陈秋霞	1:1		2022.8.15	图号(DWG NO): HBDS1-AGQ22F-11XD/21/J/S	
P. 单重		P. 页码	第1页 共1页(1/1)			