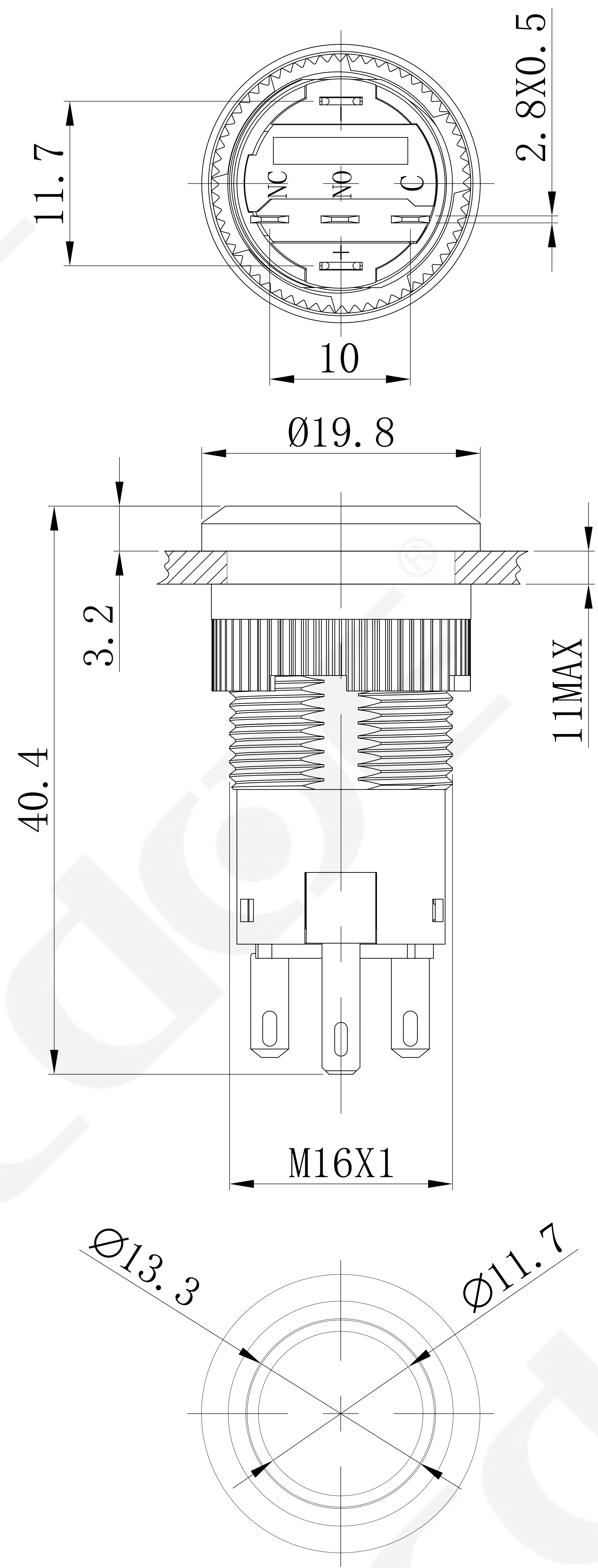
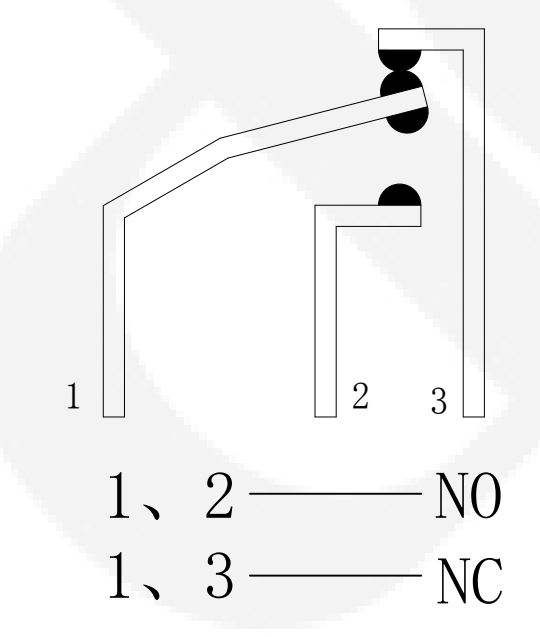


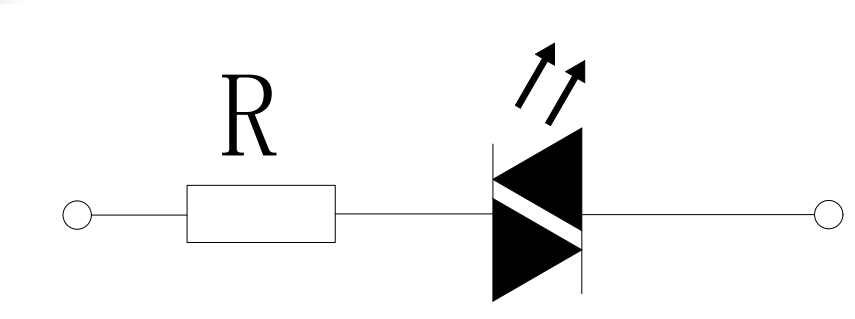
UNIT: mm (毫米)



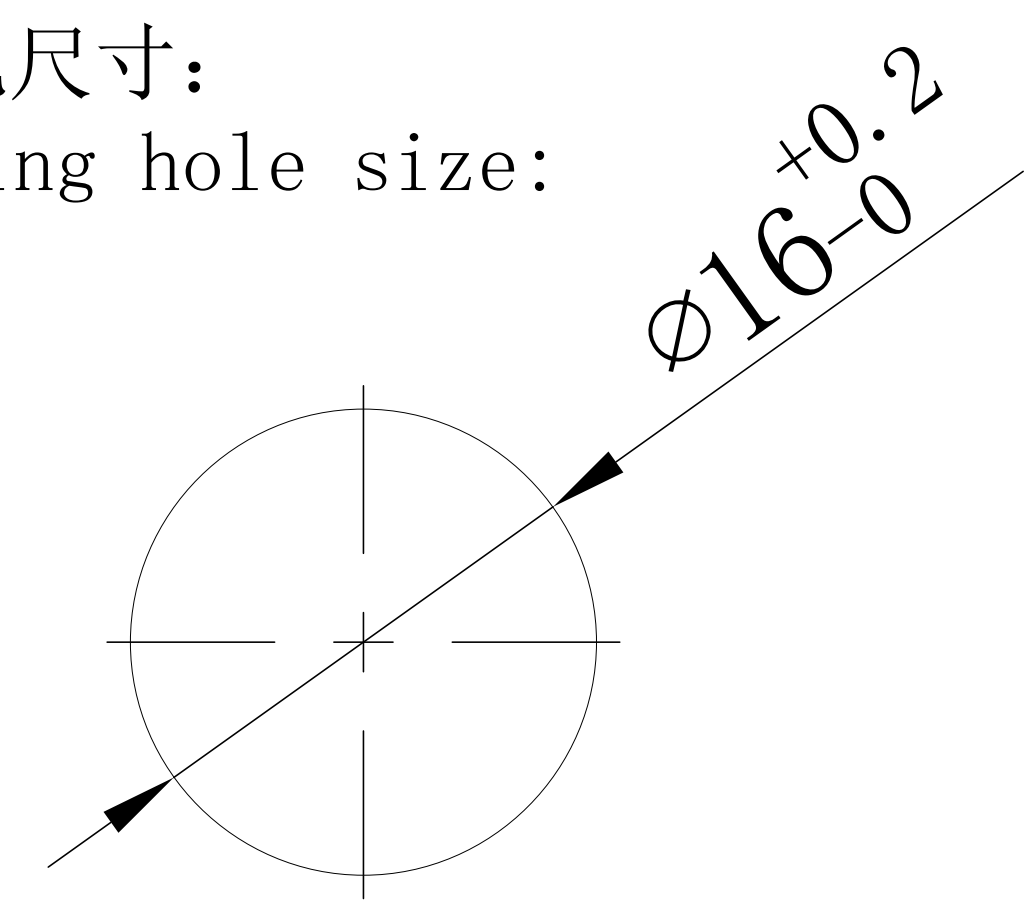
开关结构说明:
Switch structure description:



灯珠等效电路:
Lamp bead equivalent circuit:



安装孔尺寸:
Mounting hole size:



性能要求:

Performance requirements:

1. 防护等级: IP65;
Protection grade: IP65;
2. 接触电阻: $\leq 50m\Omega$;
Contact resistance: $\leq 50m\Omega$
3. 绝缘电阻: $\geq 100M\Omega$;
The insulation resistance: $\geq 100M\Omega$
4. 抗电强度: AC2500V, 1min, 无闪烁、击穿;
Electrical resistance: AC2500V, 1min, no flicker and breakdown;
5. 寿命: 电气部分在额定负载下动作5万次无异常。
Life: Electrical part: operate 50,000 times under rated load without any abnormality.
机械部分: 动作100万次无异常;
Mechanical part: no abnormal movement for 1000,000times

技术要求:

Technical requirements:

1. 表面光洁, 平整无毛刺;
The surface is smooth without burr;
2. 参数/批次字迹清晰, 无错位;
Clear handwriting of parameters/batches without any dislocation;
3. 额定电压: $I_{th}: 5A$ $U_i: 250V$;
Rated voltage: $5A$ $U_i: 250V$;
4. 工作环境温度: $-25^{\circ}C \sim +65^{\circ}C$;
Working environment temperature: $-25^{\circ}C \sim +65^{\circ}C$;
5. 动作形式: 自复式; 自锁式;
Operation type: Momentary; Latching;
6. 动作行程: 约3.4mm;
Movement stroke: about 3.4mm
7. 连接形式: 配套接插件/焊接导线;
Connection form: Matching connectors/Welding wire;
8. 拧紧力矩: 约0.6Nm;
Tightening torque: About 0.6Nm;
9. 开关组合: 1NO1NC;
Contact configuration: 1NO1NC;
10. 外观材料: 按键: PC/黄铜; PC/不锈钢;
头部: 黄铜; 不锈钢;
底座: PBT;
触点: 银合金;
Appearance material: buttons: PC/Nickel-Plated; PC/Stainless steel
Head: Nickel-Plated Brass; Stainless steel;
Base: PBT;
Contact: silver alloy;
11. 未标注公差按照GB/T 1804-m级。
Unmarked tolerance shall be in accordance with GB/T 1804-m class.
12. 灯珠参数: 额定电压: 6V/12V/24V/36V; 110V/220V;
额定电流: $\leq 20mA$;
Lamp bead parameters: rated voltage :6V/12V/24V/36V; 110V/220V;
Rated current: $\leq 20mA$
13. 灯珠颜色: 红/绿/黄/橙/蓝/白;
LED color: Red/Green/Yellow/Orange/Blue/White
14. 灯珠寿命: 50000小时。
Led life: 50000 hours.

描 图
描 校
底 图 号
装 订 号

					YUEQING DAHE ELECTRIC CO., LTD.	
					乐清市大和电气有限公司	
					名称(TITLE):	
					M16 Metal waterproof button switch	
					M16金属防水按钮开关	
					图号(DWG NO):	
					HBDS1-AGQ16F-11E(Z)-J-PC	
标记	处数	更改文件号	签字	日期		
DR. 制图	APPD. 审核	SCALE. 比例	countersign. 会签	Date. 日期		
黄	陈秋霞	1.5:1		2020.4.20		
PW. 单重		P. 页码	第1页 共1页(1/1)			