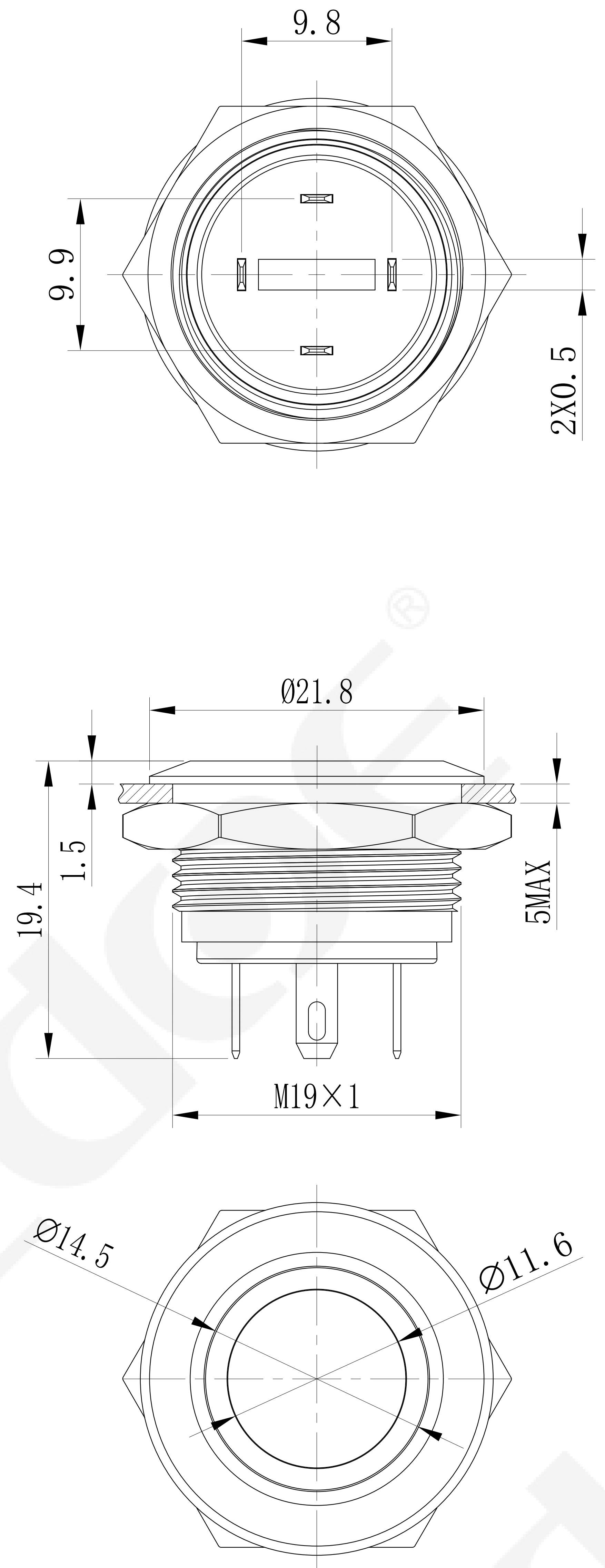
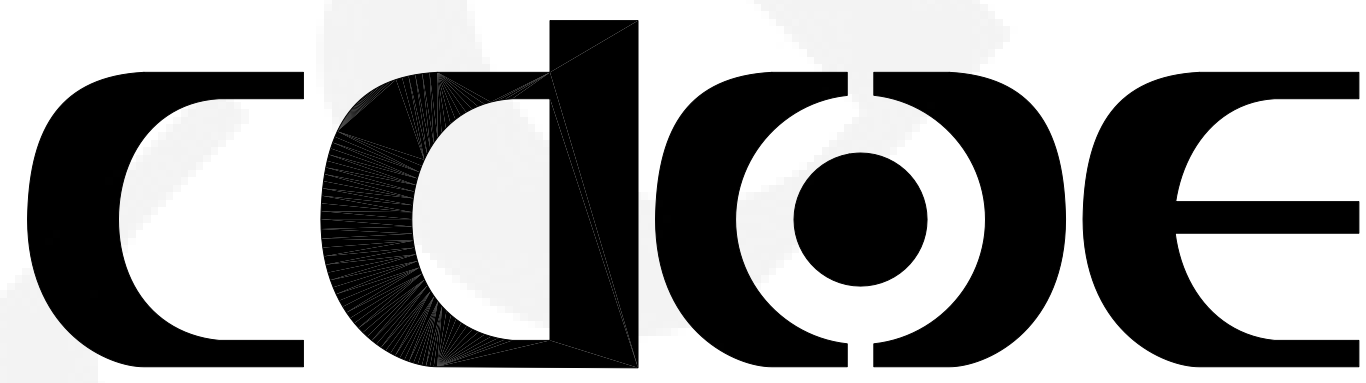
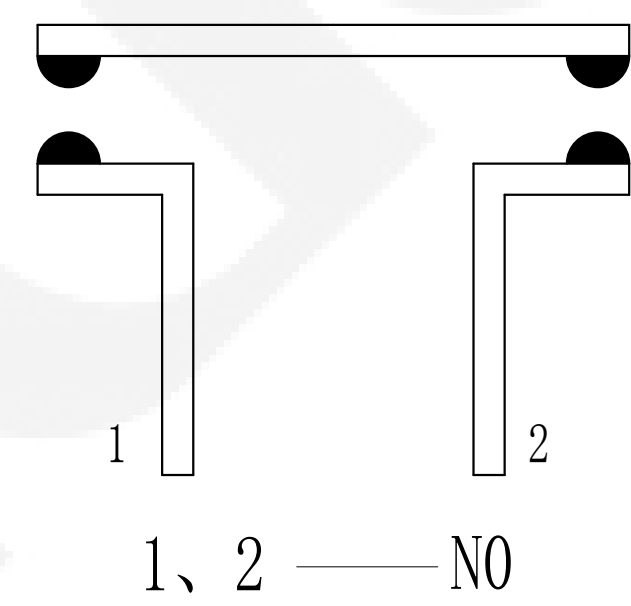


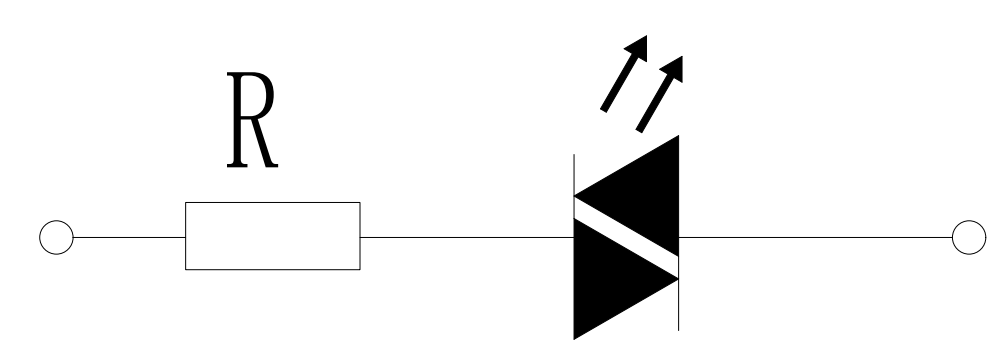
UNIT: mm (毫米)



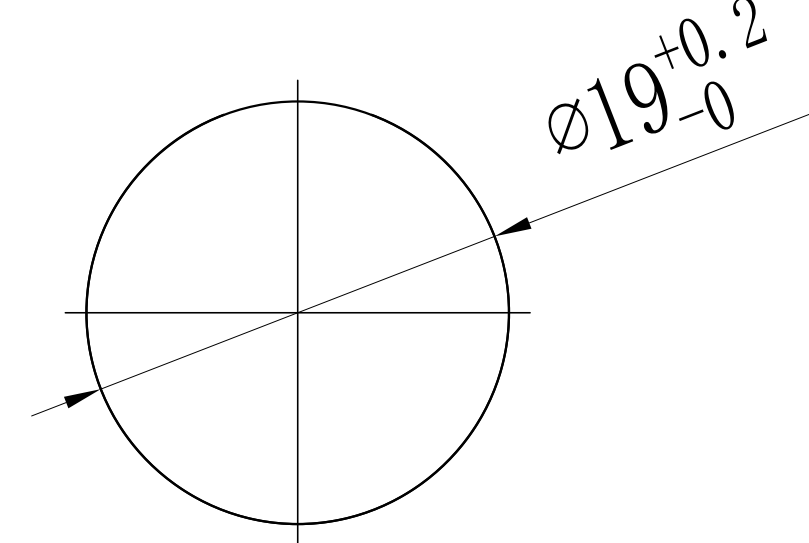
开关结构说明:
Switch structure description:



灯珠等效电路:
Lamp bead equivalent circuit:



安装孔尺寸:
Mounting hole size:



性能要求:

- Performance requirements:
- 防护等级: IP67;
Protection grade: IP67
 - 接触电阻: $\leq 50m\Omega$;
Contact resistance: $\leq 50m\Omega$
 - 绝缘电阻: $\geq 100M\Omega$;
The insulation resistance: $\geq 100M\Omega$
 - 抗电强度: AC250V, 1min, 无闪烁、击穿;
Electrical resistance: AC250V, 1min, no flicker and breakdown;
 - 寿命: 电气部分在额定负载下动作5万次无异常。
Life: electrical part: operate 50,000 times under rated load without any abnormality.
机械部分: 动作1000,000次无异常;
Mechanical part: no abnormal movement for 1000,000 times

技术要求:

- Technical requirements:
- 表面光洁, 平整无毛刺;
The surface is smooth and smooth without burr;
 - 参数/批次字迹清晰, 无错位;
Clear handwriting of parameters/batches without any dislocation;
 - 电气参数: $I_{th}: 50mA$ $U_i: 12V/DC$;
Electrical parameters: $50mA$ $U_i: 12V/DC$;
 - 工作环境温度: $-25^{\circ}C \sim +65^{\circ}C$;
Working environment temperature: $-25^{\circ}C \sim +65^{\circ}C$;
 - 动作形式: 自复式;
Action form: Momentary;
 - 动作行程: 约0.5mm;
Movement stroke: about 0.5mm
 - 连接形式: 配套接插件/焊接导线;
Connection form: supporting connector/welding wire;
 - 拧紧力矩: 约0.4Nm;
Tightening torque: about 0.4Nm;
 - 开关组合: 1NO
Switch combination: 1NO
 - 外观材料: 按键: PC/不锈钢;
外壳: 不锈钢;
底座: PBT;
触点: 银合金;
Appearance material: Keypad: PC/Stainless steel;
Case: Stainless steel;
Pedestal: PBT;
Contact silver alloy
 - 未标注公差按照GB/T 1804-m级。
Unmarked tolerance shall be in accordance with GB/T 1804-m class.
 - 灯珠参数: 额定电压: 3V/6V/12V/24V;
额定电流: $\leq 20mA$;
Lamp bead parameters: rated voltage: 3V/6V/12V/24V;
Rated current: $\leq 20mA$
 - 灯珠颜色: 红/绿/黄/橙/蓝/白;
Color: red/green/yellow/orange/blue/white
 - 灯珠寿命: 50000小时。
Led life: 50000 hours.

描 图
描 校
底 图 号
装 订 号

					YUEQING DAHE ELECTRICAL CO. LTD. 乐清市大和电气有限公司	
标 记	处 数	更改文件号	签 字	日 期	名称(TITLE): M19 metal waterproof push button switch M19金属防水按钮开关	
DR. 制 图	APPD. 审 核	SCALE. 比 例	countersign. 会 签	Date. 日 期	图号(DWG NO): HBDGQ19SF-10WE/J/S	
黄	陈秋霞	2:1		2022. 8. 15		
PW. 单 重		P. 页 码	第1页 共1页(1/1)			