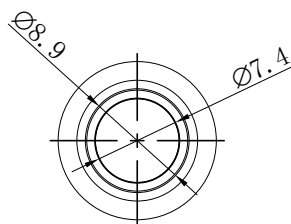
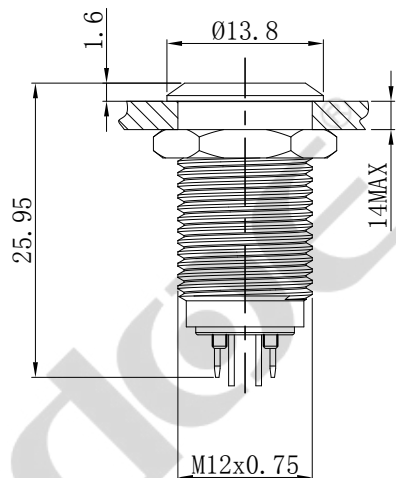
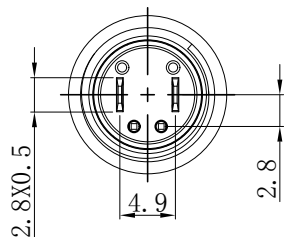
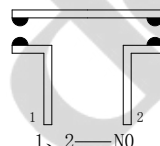


UNIT: mm (毫米)

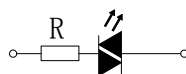
cdoe



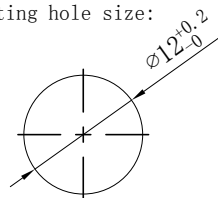
开关结构说明:
Switch structure description:



灯珠等效电路:
Lamp bead equivalent circuit:



安装孔尺寸:
Mounting hole size:



性能要求:

Performance requirements:

- 防护等级: IP65;
Protection grade: IP65;
- 接触电阻: $\leq 50\text{m}\Omega$;
Contact resistance: $\leq 50\text{m}\Omega$;
- 绝缘电阻: $\geq 100\text{M}\Omega$;
The insulation resistance: $\geq 100\text{M}\Omega$;
- 抗电强度: AC2500V, 1min, 无闪烁、击穿;
Electrical resistance: AC2500V, 1min, no flicker and breakdown;
- 寿命: 电气部分在额定负载下动作5万次无异常。
Life: Electrical part: operate 50,000 times under rated load without any abnormality.
机械部分: 动作100万次无异常;
Mechanical part: no abnormal movement for 1000,000times.

技术要求:

Technical requirements:

- 表面光洁, 平整无毛刺;
The surface is smooth without burr;
- 参数/批次字迹清晰, 无错位;
Clear handwriting of parameters/batches without any dislocation;
- 电气参数: $I_{th}: 2\text{A}$ $U_i: 250\text{V}$;
Electric parameter: 2A $U_i: 250\text{V}$;
- 工作环境温度: $-25^\circ\text{C} \sim +65^\circ\text{C}$;
Working environment temperature: $-25^\circ\text{C} \sim +65^\circ\text{C}$;
- 动作形式: 自复式; 自锁式;
Operation type: Momentary; Latching;
- 动作行程: 约2.5mm;
Movement stroke: about 2.5mm
- 连接形式: 配套接插件/焊接导线;
Connection form: Matching connectors/Welding wire;
- 拧紧力矩: 约0.4Nm;
Tightening torque: about 0.4Nm;
- 开关组合: 1NO;
Contact configuration: 1NO;
- 外观材料: 按键: PC/不锈钢; PC/黄铜;
外壳: 不锈钢; 黄铜;
底座: PBT;
Appearance material: PC/Button surface: stainless steel; PC/Nickel-Plated Brass
Housing: stainless steel; Nickel-Plated Brass;
Pedestal: PBT;
- 未标注公差按照GB/T 1804-m级。
Unmarked tolerance shall be in accordance with GB/T 1804-m class.
- 灯珠参数: 电气参数: 3V/6V/12V; 12V以上电压需外置电阻;
额定电流: $\leq 20\text{mA}$;
Lamp bead parameters: Electric parameter: 3V/6V/12V;
Above 12V voltage need external resistance;
Rated current: $\leq 20\text{mA}$
- 灯珠颜色: 红/绿/黄/橙/蓝/白;
LED color: Red/Green/Yellow/Orange/Blue/White
- 灯珠寿命: 50000小时。
Led life: 50000 hours.

描 图

描 校

底 图 号

装 订 号

					YUEQING DAHE ELECTRIC CO., LTD.	
					乐清市大和电气有限公司	
					名称(TITLE): M12 Emergency stop button switch	
					M12金属防水按钮开关	
					图号(DWG NO): HBDGQ12F-10E(Z)/J/S(N)	
标记	处数	更改文件号	签字	日期		
DR.	APPD.	SCALE.	countersign.	Date.		
制 图	审 核	比 例	会 签	日 期		
黄	陈秋霞	1.5:1		2022.8.15		
PW.		P.				
单 重		页 码	第1页 共1页 (1/1)			