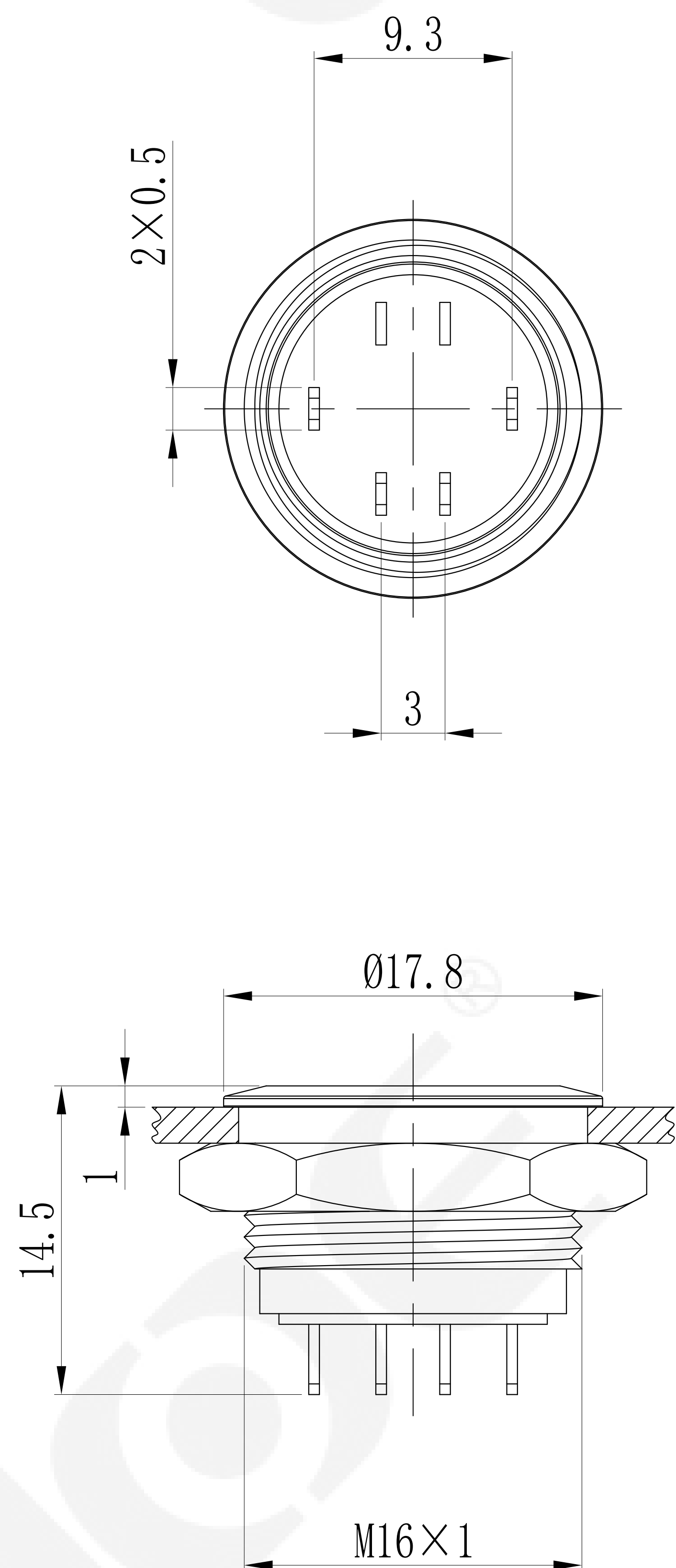
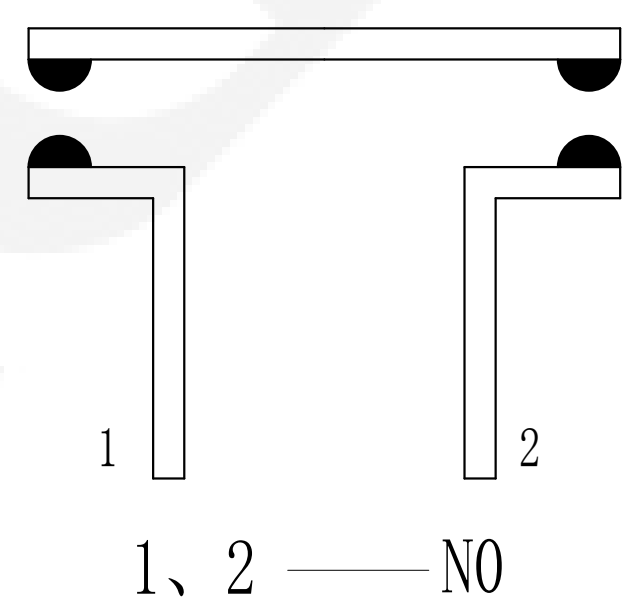


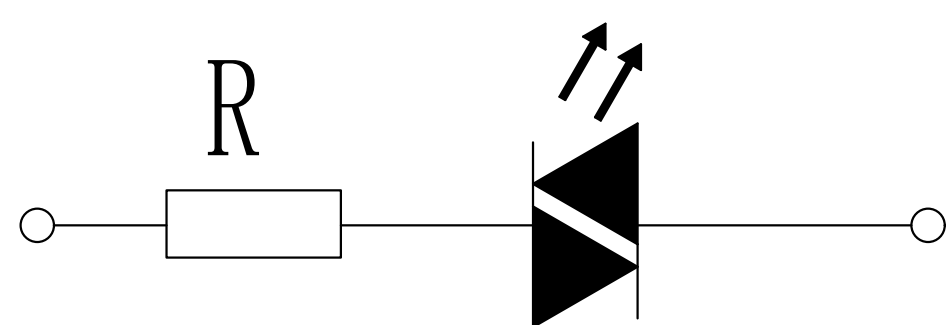
UNIT: mm (毫米)



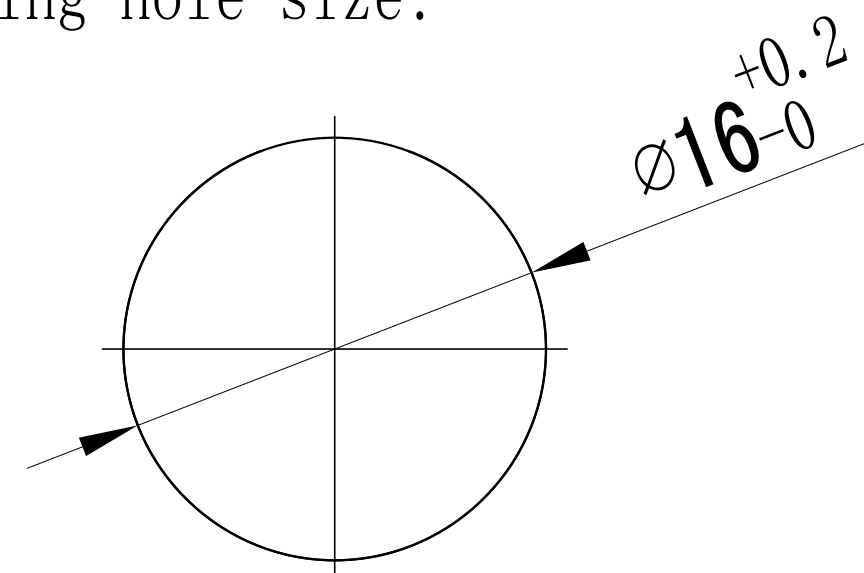
开关结构说明:
Switch structure description:



灯珠等效电路:
Lamp bead equivalent circuit:



安装孔尺寸:
Mounting hole size:



性能要求:

Performance requirements:

- 防护等级: IP67;
Protection grade: IP67.
- 接触电阻: $\leq 50m\Omega$;
Contact resistance: $\leq 50m\Omega$.
- 绝缘电阻: $\geq 100M\Omega$;
The insulation resistance: $\geq 100M\Omega$
- 抗电强度: AC250V, 1min, 无闪烁、击穿;
Electrical resistance: AC250V, 1min, no flicker and breakdown;
- 寿命: 在额定负载下动作8万次无异常。
life: under the rated load movement 80000 times without exception.

技术要求:

Technical requirements:

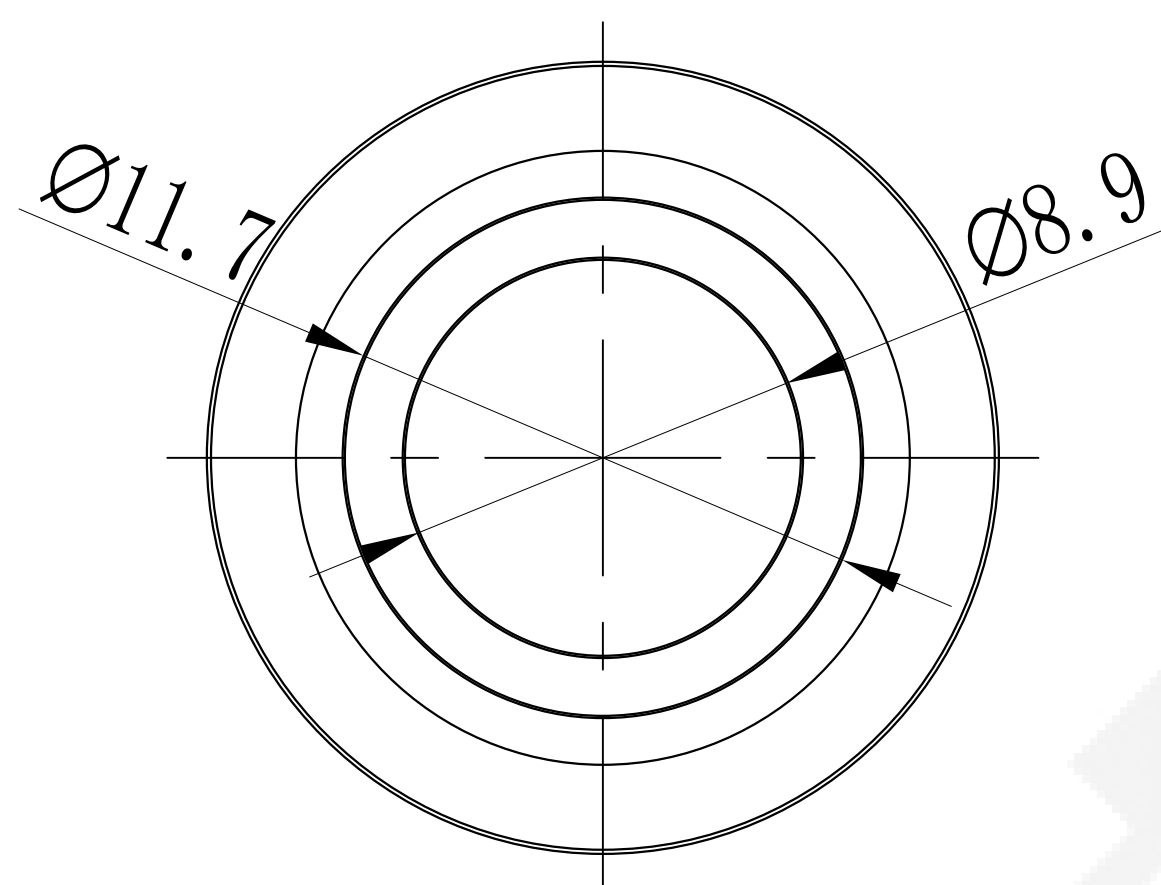
- 表面光洁, 平整无毛刺;
The surface is smooth without burr;
- 参数/批次字迹清晰, 无错位;
Clear handwriting of parameters/batches without any dislocation;
- 电气参数: $I_{th}: 50mA$ $U_i: 12V/DC$;
Electric parameter: $50mA$ $U_i: 12V/DC$;
- 工作环境温度: $-25^{\circ}C \sim +65^{\circ}C$;
Working environment temperature: $-25^{\circ}C \sim +65^{\circ}C$;
- 动作形式: 自复式;
Operation type: Momentary;
- 动作行程: 约0.5mm;
Movement stroke: about 0.5mm
- 连接形式: 配套接插件/焊接导线;
Connection form: Matching connectors/Welding wire;
- 拧紧力矩: 约0.6Nm;
Tightening torque: about 0.6Nm;
- 开关组合: 1NO
Contact configuration: 1NO
- 外观材料: 按键: PC/不锈钢; PC/黄铜
外壳: 不锈钢; 黄铜
底座: PBT;
Appearance material: Button surface: PC/Stainless steel; PC/Nickel-Plated Brass
Housing: stainless steel; Nickel-Plated Brass
Pedestal: PBT;
- 未标注公差按照GB/T 1804-m级。
Unmarked tolerance shall be in accordance with GB/T 1804-m class.
- 灯珠参数: 额定电压: 6V/12V/24V;
额定电流: $\leq 20mA$;
Lamp bead parameters: rated voltage :6V/12V/24V;
Rated current: $\leq 20mA$;
- 灯珠颜色: 红;
LED color: Red;
- 灯珠寿命: 50000小时。
Led life: 50000 hours.

描 图

描 校

底 图 号

装 订 号



					YUEQING DAHE ELECTRIC CO., LTD.	
					乐清市大和电气有限公司	
					名称(TITLE):	
					M16 metal waterproof push button switch	
					M16金属防水按钮开关	
标记	处数	更改文件号	签字	日期	图号(DWG NO):	
DR.	APPD.	SCALE.	countersign.	Date.	HBDGQ16SF-10WE-J-S(N)-R	
制 图	审 核	比 例	会 签	日 期		
黄	陈秋霞	1.5:1		2022.8.15		
PW.		P.				
单 重		页 码	第1页 共1页(1/1)			