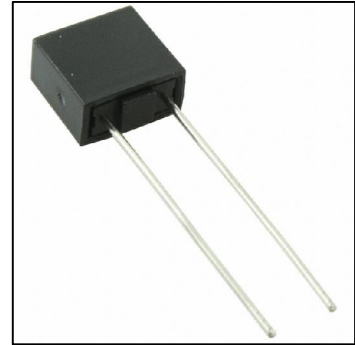


DESCRIPTION : RADIAL LEAD MICRO FUSES TIME LAG

PART NO: PMT SERIES
(8A-10A)

RoHS



PHYSICAL DATA

MATERIAL

BASE AND CAP : PA66, BLACK COLOR
ROUND PINS : COPPER, TIN PLATED

PACKAGING TYPE

IN BULK : 1000 pcs per box
ON TAPE : Ammo Pack, 1000pcs box

ELECTRICAL DATA

INTERUPT RATING

: 35A or 10 times the rated current whichever is greater
AT 250V AC

ELECTRICAL CHARACTERISTIC

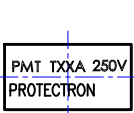
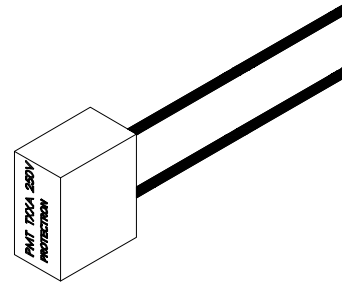
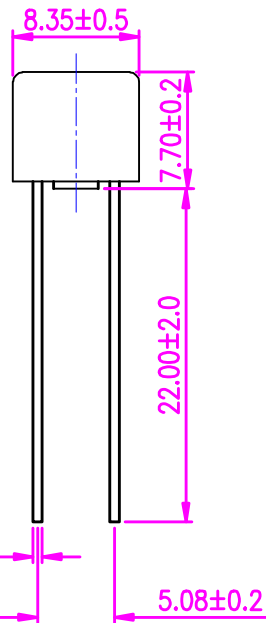
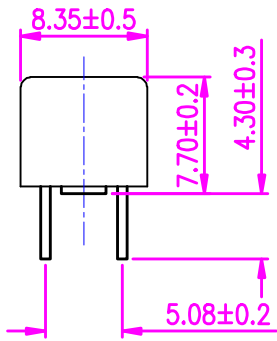
RATED CURRENT	1.5 In		2.1 In		2.75 In		4 In		10 In	
	MIN	MAX	MIN	MAX	MIN	MAX	MIN	MAX	MIN	MAX
8A~10A	60 min	2 min	400 ms	10 sec	150 ms	3 sec	15 ms	150 ms		

DESCRIPTION : RADIAL LEAD MICRO FUSES TIME LAG

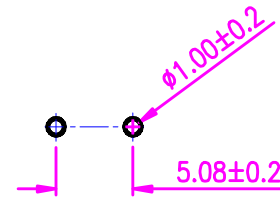
PART NO: PMT SERIES
(8A-10A)

SHORT LEADS

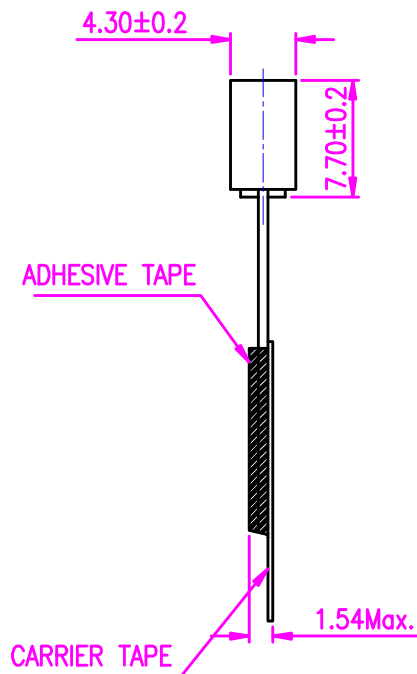
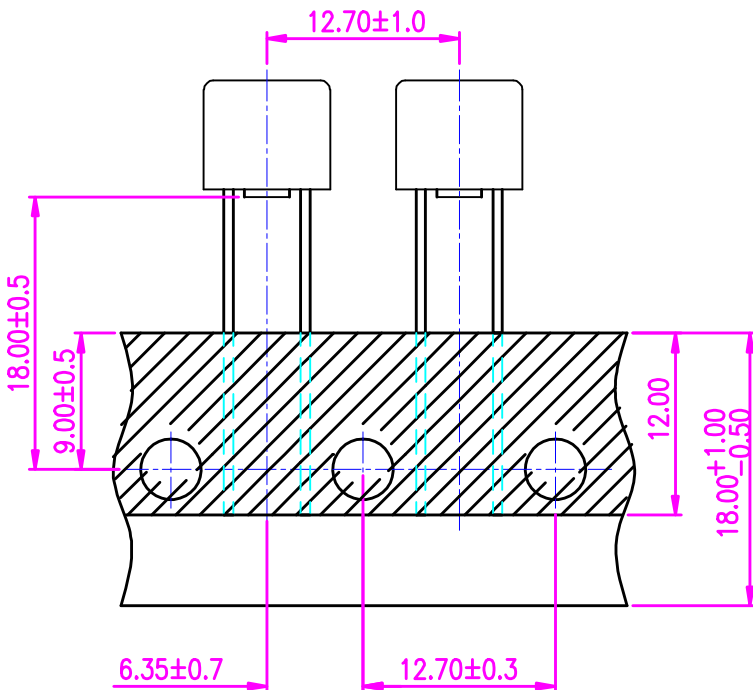
LONG LEADS



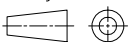
$\varnothing 0.62 \pm 0.1$



MOUNTING HOLES



Projection:



Scale: NTS

Sht. Size: A4

Gen. Tol.: $\pm 0.25\text{mm}$
 $\pm 2'$

ALL DIMENSIONS ARE IN MM.
IF UNLESS OTHERWISE SPECIFIED.



PROTECTRON ELECTROMECH (P) LTD

DESCRIPTION : RADIAL LEAD MICRO FUSES TIME LAG


PART NO:PMT SERIES
(8A-10A)

TIME LAG FUSES TYPE PMT

PROTECTRON PART NUMBERS	Ampere Rating (In)	Voltage Rating (V)
PMT 8A	8A	250V
PMT 10A	10A	

ORDERING INFORMATION

PMT SERIES
(REFER TABLE)

REV.	DESCRIPTION	DRN. BY	DATE	CK'ED BY	APP'D BY
A	ORIGINAL	SUPREETA	11.04.2017		
Projection: 		Scale: NTS	Sht. Size: A4	Gen. Tol.: ±0.25mm ±2'	ALL DIMENSIONS ARE IN MM. IF UNLESS OTHERWISE SPECIFIED.