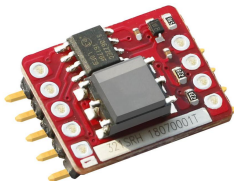


Single high-speed RS485 isolated transceiver module, SMD package



CE Report  
EN62368-1

RoHS

### FEATURES

- Small size, SMD package
- Integrated highly efficient isolated DC-DC converter
- High baud rate of up to 200kbps
- Two-port isolation test voltage (3.0kVDC)
- Operating ambient temperature range: -40°C to +85°C
- The bus supports maximum 64 nodes
- Set isolation and ESD bus protection in one

The main function of the TD321S485H / TD521S485H series is to convert a logic level signal into isolated RS485 differential level signals. The special integrated IC technology of the RS485 transceiver achieves isolation between the power supply and the signal lines isolation, does RS485 communication and protects the bus all in one and the same module. The product's isolated power supply withstands a test voltage of up to 3000VDC. The Products are using pick and place SMD technology, thus enabling the use of fully automated processing. Also, they can easily be embedded in the user's end equipment, to achieve fully functional RS485 network connections.

### Selection Guide

Certification	Part No.	Mark	Power input (VDC)	Baud Rate (kbps)	Static Current (mA)	Max. Operating Current (mA)	Isolated Power Output (typ.)(VDC)	Number Of Nodes
EN	TD321S485H	321SRH	3.15-3.45	200	28	130	5	64
	TD521S485H	521SRH	4.75-5.25	200	38	130	5	64

### Absolute Limits

Item	Operating Conditions	Min.	Typ.	Max.	Unit
Input Surge Voltage (1sec.max.)	3.3V series	-0.7	--	5	VDC
	5.0V series	-0.7	--	7	
Pin Soldering Temperature	Soldering time 10s max.	--	--	300	°C
Reflow Soldering Temperature		Peak temp. ≤245°C, duration ≤60s max.at 217°C. For details, please refer to IPC/JEDEC J-STD-020D.1.			

### 3.3V Input Specifications

Item	Symbol	Min.	Typ.	Max.	Unit
Power Supply Input Voltage	V <sub>CC</sub>	3.15	3.3	3.45	VDC
TXD Logic Level	High-level	V <sub>IH</sub>	0.7V <sub>CC</sub>	3.3	
	Low-level	V <sub>IL</sub>	0	0.8	
RXD Logic Level	High-level	V <sub>OH</sub>	V <sub>CC</sub> -0.4	3.1	
	Low-level	V <sub>OL</sub>	0	0.2	
TXD Drive Current	I <sub>T</sub>	2	--	--	mA
CON Drive Current	I <sub>CON</sub>	--	--	5	
RXD Output Current	I <sub>R</sub>	--	--	2	
Serial Interface	Compatible with + 3.3 V UART interface only				

### 5.0V Input Specifications

Item	Symbol	Min.	Typ.	Max.	Unit
Power Supply Input Voltage	V <sub>CC</sub>	4.75	5	5.25	VDC
TXD Logic Level	High-level	V <sub>IH</sub>	0.7V <sub>CC</sub>	5	
	Low-level	V <sub>IL</sub>	0	0.8	
RXD Logic Level	High-level	V <sub>OH</sub>	V <sub>CC</sub> -0.4	4.8	
	Low-level	V <sub>OL</sub>	--	0.2	
TXD Drive Current	I <sub>T</sub>	2	--	--	mA
CON Drive Current	I <sub>CON</sub>	--	--	5	
RXD Output Current	I <sub>R</sub>	--	--	2	
Serial Interface	Compatible with + 5 V UART interface only				

### Transmission Specifications

Item	Symbol	Min.	Typ.	Max.	Unit
Data Delay	TXD Transmitter Delay	tr	--	110	ns
	RXD Receiver Delay	tr	--	110	
Transceiver switching delay time	Switch from receiving data to sending data	--	5	18	us
	Switch from sending data to receiving data	--	30	100	

### Output Specifications

Item	Symbol	Min.	Typ.	Max.	Unit
Difference Level	$V_{diff(d)}, R_L=54\ \Omega$	1.5	2	--	VDC
Difference load resistance		54	--	--	$\Omega$
Difference Input Impedance	$-7V \leq V_{CM} \leq +12V$	96	--	--	$k\ \Omega$
Built-in pull-down resistor		--	24	--	
Isolation power output voltage*	Nominal input voltage	4.9	5	5.3	VDC
Bus Interface Protection		ESD protection			

Note: \*Isolated output power pins are for external pull-up, pull-down resistors only (recommended maximum current <25mA) and are not meant for any other purpose.

### Truth Table Specifications

Transceiver Control	Input		Output		
	CON	TXD	A	B	RXD
Send status	0	1	1	0	1
	0	0	0	1	1
	1	1	1	1	1
Receive status <sup>①</sup>	CON	$V_A - V_B$	RXD		
	1	$\geq -20mV$	1		
	1	$\leq -220mV$	0		
	1	$-220mV < V_A - V_B < -20mV$	Undefined state		

Note: ①Receiving threshold varies with Vcc will produce subtle error.

### General Specifications

Item	Operating Conditions	Value
Isolation Test	Electric strength test for 1 minute, leakage current <1mA	3000VDC
Insulation Resistance	At 500VDC	1000M $\Omega$ (Input-output)
Operating Temperature		-40°C to +85°C
Transportation and Storage Temperature		-50°C to +105°C
Operating Humidity	Non-condensing	10% - 90%
Safety Standard		EN62368-1 (Report)
Safety Class		CLASS III
Moisture Sensitivity Level (MSL)	IPC/JEDEC J-STD-020D.1	Level 1

Note: \* For actual application, please refer to IPC/JEDEC J-STD-020D.1.

### Mechanical Specifications

Dimensions	SMD 10
Weight	1.9g (Typ.)
Cooling Method	Free air convection

### Electromagnetic Compatibility (EMC)

Emissions	CE	CISPR32/EN55032 CLASS A (see Fig. 3)
Immunity	ESD	IEC/EN 61000-4-2 Contact $\pm 4kV$ (A, B port) Perf. Criteria B
		IEC/EN 61000-4-2 Contact $\pm 8kV$ (see Fig.2, A, B port) Perf. Criteria B
	EFT	IEC/EN 61000-4-4 $\pm 2kV$ (see Fig.2, A, B port) Perf. Criteria B
	Surge	IEC/EN 61000-4-5 $\pm 2kV$ (line to ground) (without external components, A, B port) Perf. Criteria B

		IEC/EN 61000-4-5 ±4kV (see Fig.2, A, B port)	Perf. Criteria B
	CS	IEC/EN 61000-4-6 3Vr.m.s	Perf. Criteria A

### Application Precautions

1. Carefully read and follow the instructions before use; contact our technical support if you have any question;
2. Do not use the product in hazardous areas;
3. Use only DC power supply source for this product. AC power supply is prohibited;
4. It is strictly forbidden to disassemble the product privately in order to avoid product failure or malfunction;
5. Hot-swap is not supported;
6. If the external input of TXD is insufficient, the pull-up resistor should be added according to the situation;
7. The various components of the product may have inconsistent screens due to different production batches, it does not affect the product performance.

### After-sales service

1. Factory inspection and quality control are strictly enforced before shipping any product; please contact your local representative or our technical support if you experience any abnormal operation or possible failure of the module;
2. The products have a 3-year warranty period, from the date of shipment. The product will be repaired or exchanged free of charge within the warranty period for any quality problem that occurs under normal use.

### Applied circuit

Refer to the RS485 Isolated Industrial Bus Interface Module Application Manual.

### Design Reference

#### 1. Typical application circuit

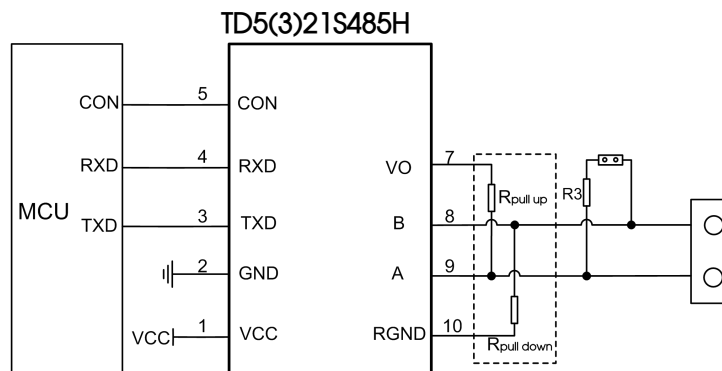


Fig. 1: Typical application

Figure 1 shows a typical connection circuit for the isolated transceiver module TD321S485H and TD521S485H. The TD521S485H-E module's power supply must be 5V and match the module's TXD, RXD and CON pin interface level of 5V (not supporting any 3.3V system levels). Accordingly, TD321S485H module's power supply must be 3.3V and match the module's TXD, RXD and CON pin interface level of 3.3V (not supporting any 5V system levels).

The module has a built-in 24kΩ pull-down resistor, which under normal circumstances meets the demand for the use of internal pull-up and pull-down resistors. Depending on the actual circuit, the use of additional external R pull-up and R pull-down resistor may be chosen.

#### 2. Recommended port protection circuit

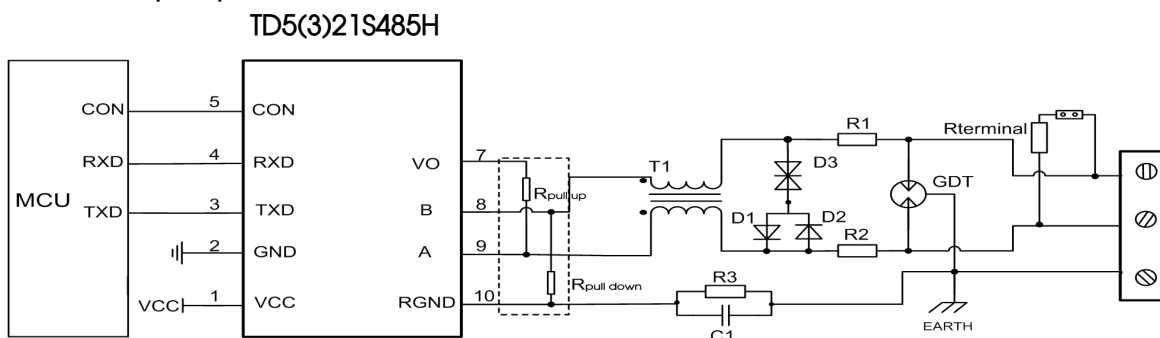


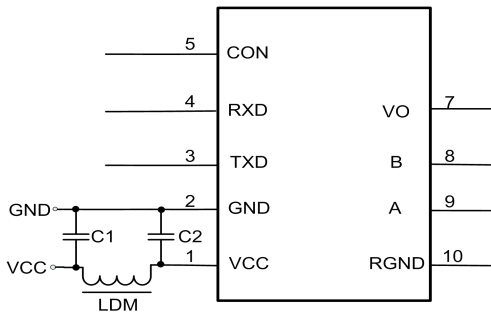
Fig. 2: Port protection circuit for harsh environments

Note: Ground shield of twisted wire pair reliably.

Recommended components and values:

Component	Recommended part, value	Component	Recommended part, value
R3	1MΩ	R1、R2	2.7Ω/2W
C1	1nF, 2kV	D1、D2	1N4007
T1	ACM2520-301-2P	D3	SMBJ8.5CA
GDT	B3D090L	Rterminal	120Ω

As the modules internal A / B lines come with its own ESD protection, which generally satisfy most application environments without the need for additional ESD protection devices, as shown in the typical circuit in Figure 1. For harsh and noisy application environments such as motors, high voltage/current switches, lightning and similar however, we recommended that the user protects the module's A / B lines with additional measures and external components such as TVS tube, common mode inductors, Gas discharge tube, shielded twisted pair of wires with the same single network Earth point. Figure 2 shows our recommended circuit diagram for such type of applications with components and values given in the table above. This recommendation is for reference only and may have to be adapted accordingly with appropriate component values in order to match the actual situation and application.



Component	Recommended part, value
C1, C2	1uF/16V
LDM	CD43-12uH

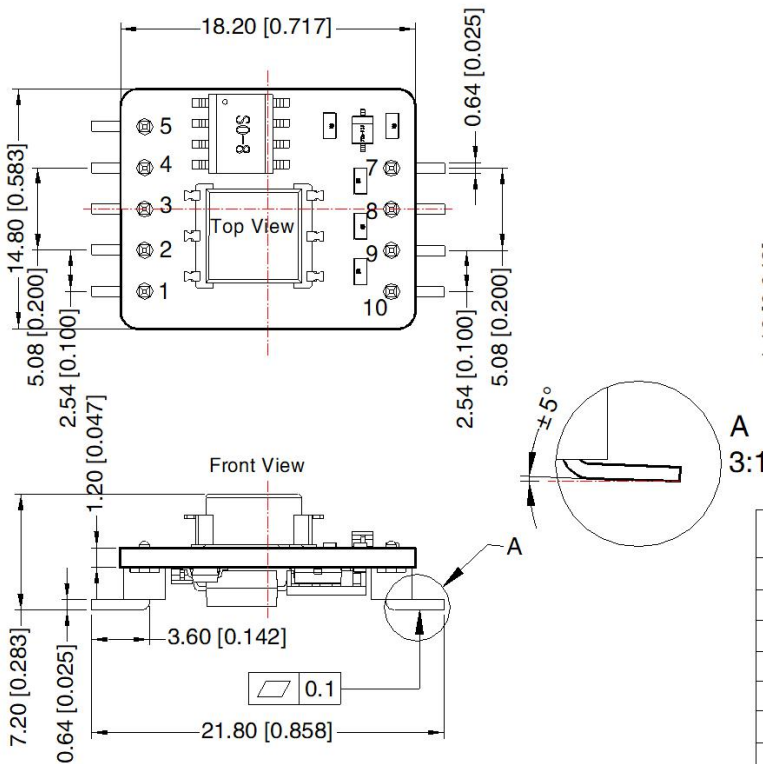
Fig.3

### 3. Precautions

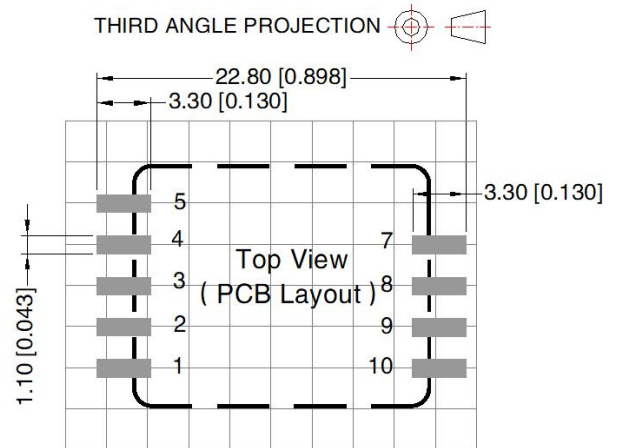
- 1) TD521S485H is for 5V TTL level only (not compatible with 3.3V); TD321S485H is for 3.3V TTL level only (not compatible with 5V).
- 2) Pin6 are not drawn. Please leave pin 10 open if unused.
- 3) We recommend using a shielded twisted pair of wires for the Data transmission line and using same single point earth connection for each of the networks.
- 4) From the truth table characteristics, it can be derived that the isolated RS-485 transceiver module's CON pin is low to send data and high when receiving data. Note that the general 485 transceiver chip control level is exactly the opposite, therefore, if the customer desires to change the level to the ordinary 485 transceiver chip control level, we recommend using a transistor circuit between the MCU and the CON feed to reverse this signal.
- 5) Reference the truth table characteristics: When the A / B line differential voltage of the series of embedded isolated RS-485 transceiver module is  $\geq -20\text{mV}$ , the modules receiving level is high and when the A / B line differential voltage is  $\leq -220\text{mV}$  the modules receiving level is low; the modules receiving level is undefined when the A / B line differential voltage is greater than  $-220\text{mV}$  but less than  $-20\text{mV}$ , so the design is to ensure that the module will not be receiving this state. Depending on the actual situation, it is up to the user of the RS-485 network design or application to decide whether to add a  $120\Omega$  termination resistor. Avoiding data communication errors: Regardless if the RS-485 network is static or dynamic, it is essential to avoid that the differential voltage of A / B line ever comes between  $-220\text{mV}$  and  $-20\text{mV}$ .

4. For additional information, please refer to our application note on [www.mornsun-power.com](http://www.mornsun-power.com)

Dimensions and Recommended Layout



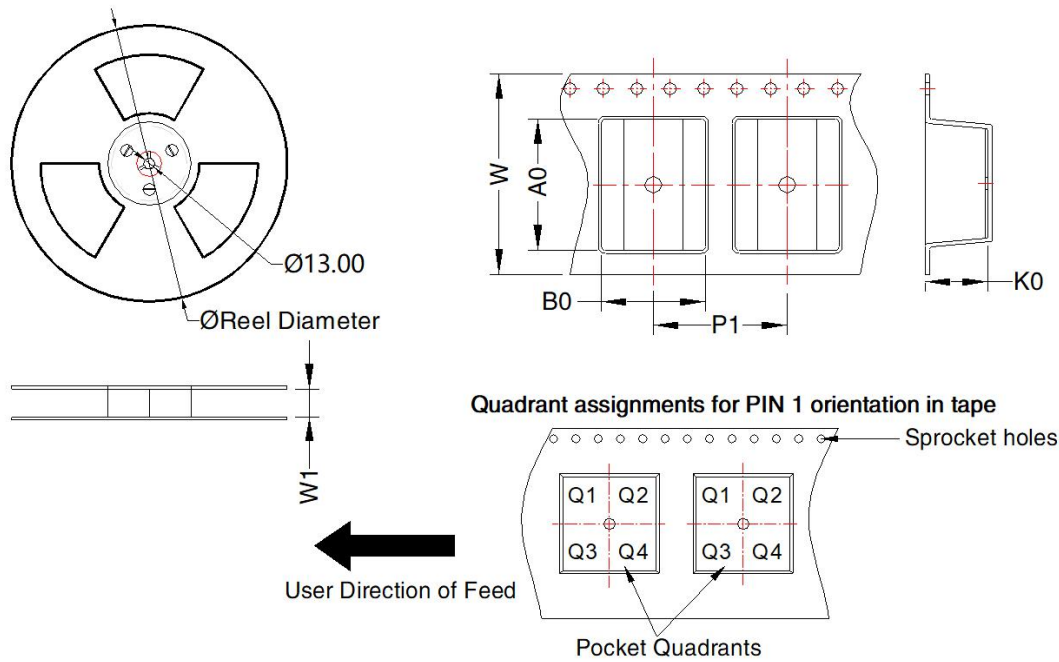
Note:  
 Unit: mm[inch]  
 Pin diameter tolerances:  $\pm 0.10[\pm 0.004]$   
 General tolerances:  $\pm 1.0[\pm 0.039]$



Note: Grid 2.54\*2.54mm

Pin-Out		
Pin	Function	Mark
1	VCC	Input Power+
2	GND	GND
3	TXD	Send Pin
4	RXD	Receiving Pin
5	CON	Send&Receiving Control Pin
7	Vo	Isolation Power Output +5V
8	B	TD_D485H(-E) B Pin
9	A	TD_D485H(-E) A Pin
10	RGND	Isolation Power Output RGND

Package diagram:



Device	Package Type	Pin	SPQ	Reel Diameter (mm)	Reel Width W1 (mm)	A0 (mm)	B0 (mm)	K0 (mm)	P1 (mm)	W (mm)	Pin1 Quadrant
TDx21S485	SMD	9	300	330.0	44.4	22.6	15.6	8.5	24.0	44.0	Q1
TDx21S485H(-E)	SMD	9	300	330.0	44.4	22.6	15.6	8.5	24.0	44.0	Q1
TDx21S485H-A	SMD	8	300	330.0	44.4	22.6	15.6	8.5	24.0	44.0	Q1
TDx21SCAN	SMD	7	300	330.0	44.4	22.6	15.6	8.5	24.0	44.0	Q1
TDx21SCANH	SMD	7	300	330.0	44.4	22.6	15.6	8.5	24.0	44.0	Q1

Notes:

- For additional information on Product Packaging please refer to [www.mornsun-power.com](http://www.mornsun-power.com). The EPE Packaging bag number: 58220095. The Roll Packaging bag number: 58240012;
- Unless otherwise specified, parameters in this datasheet were measured under the conditions of  $T_a=25^{\circ}\text{C}$ , humidity<75%RH with nominal input voltage and rated output load;
- There may be slight colour difference on the surface of the PCB, which is normal and does not affect product use;
- All index testing methods in this datasheet are based on company corporate standards;
- The above are the performance indicators of the product models listed in this datasheet. Some indicators of non-standard models will exceed the above requirements. For details, please contact our technical staff;
- We can provide product customization service, please contact our technicians directly for specific information;
- Products are related to laws and regulations: see "Features" and "EMC";
- Our products shall be classified according to ISO14001 and related environmental laws and regulations, and shall be handled by qualified units.

MORNSUN Guangzhou Science & Technology Co., Ltd.

Address: No. 5, Kehui St. 1, Kehui Development Center, Science Ave., Guangzhou Science City, Huangpu District, Guangzhou, P. R. China  
Tel: 86-20-38601850 Fax: 86-20-38601272 E-mail: [info@mornsun.cn](mailto:info@mornsun.cn) [www.mornsun-power.com](http://www.mornsun-power.com)